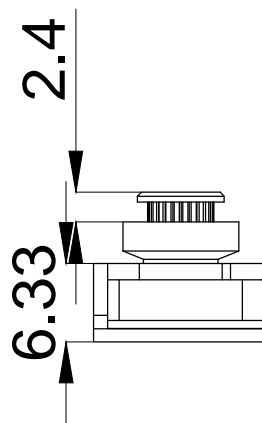
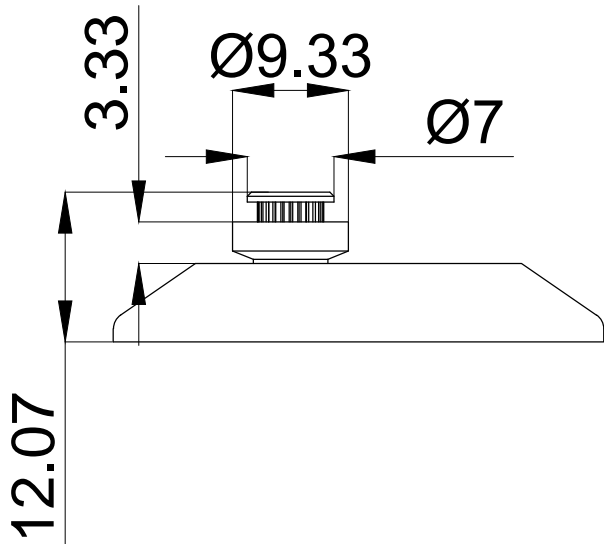
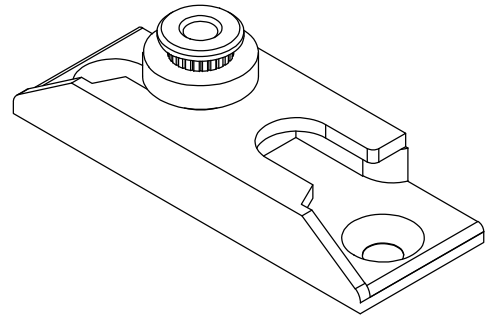
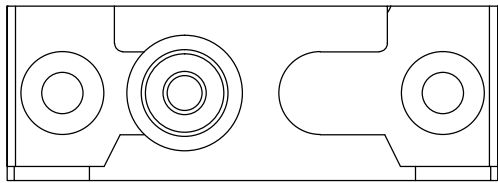


TYPHOON LOCK



TYL03



**PACKING & WEIGHT**

BOX WITH 250. UNITS  
11.46 KG



**FIXING**

Screw

**FINISH**

Plated

**MATERIAL**

Powder Coating

**LGF SYSMAC India Pvt. Ltd.**

402-403, Tower C, NDM-2, Netaji Subhash Place, New Delhi- 110034

T: +91 1147348888 | F: +91 1147348888 | W: www.lgfsysmac.com | E: info@lgfsysmac.com

Works : Plot no. 1873, HSIIDC Rai industrial Area Sonapat Haryana-131029

(Note:- This technical sheet is only for information. The installation will be the responsibility of the installer.)

REV 00, DEC 2018

www.pulsehardware.com

1