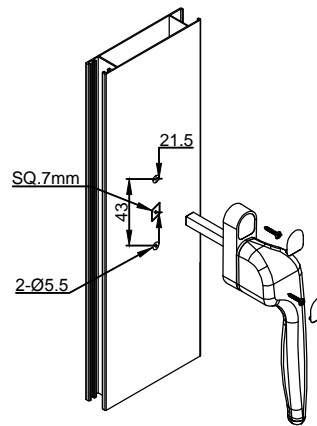
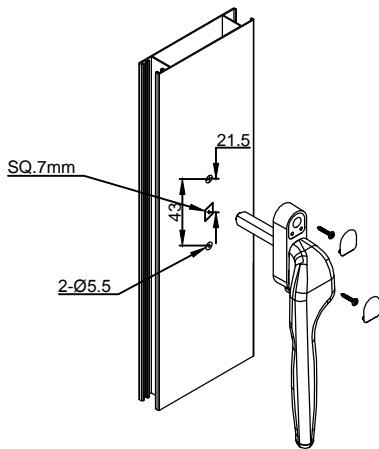
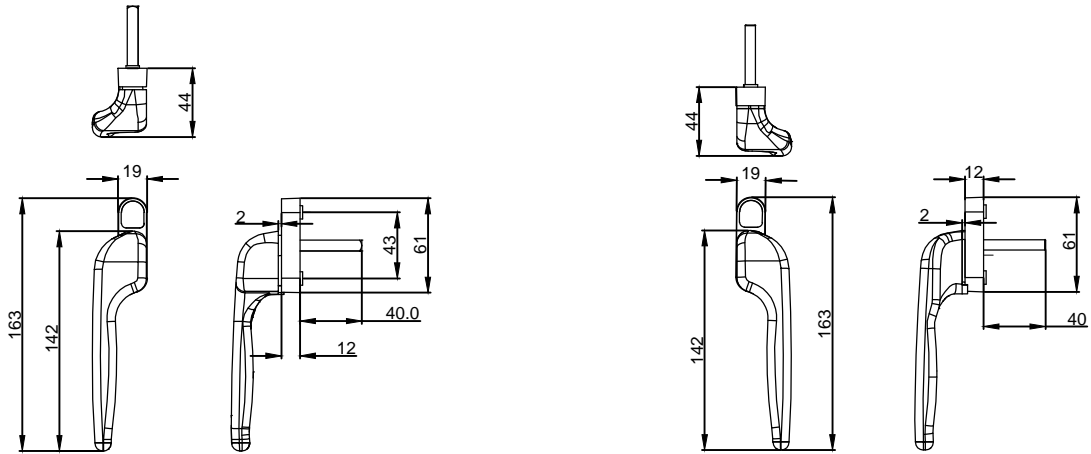


OFFSET HANDLE



PL10125



PACKING & WEIGHT

BOX WITH 10. UNITS
3.08 KG

FIXING

Screw

FINISH

Powder Coating

MATERIAL

Zamak-3

LGF SYSMAC India Pvt. Ltd.

402-403, Tower C, NDM-2, Netaji Subhash Place, New Delhi- 110034

T: +91 1147348888 | F: +91 1147348888 | W: www.lgfsysmac.com | E: info@lgfsysmac.com

Works : Plot no. 1873, HSIIDC Rai Industrial Area Sonapat Haryana-131029

(Note:- This technical sheet is only for information. The installation will be the responsibility of the installer.)

www.pulsehardware.com